

DESCRIPTION AND PURPOSE OF THE DEVICE

The magnetic track TRX004-2 is the basis for the construction of track lighting systems and is designed for installation and supply of power to track lamps in a DC mains with a rated voltage of 48V.

The track may be used indoors only in the absence of an aggressive environment and foreign aerosol particles at a temperature from 0 °C to +50 °C and a max. relative humidity of 80%. Mounting on walls and ceilings made of normally flammable materials is possible. There is also another installation option using rope suspensions. The track is supplied in segments with a length of 1, 2 meters. It is allowed to cut off segments and build structures of various shapes using connectors. Due to the fact that the entire system is designed for 48 V rated voltage, you need first to select the necessary power source to supply power to all the lamps in the circuit before assembling the system.

It will be taken into account that power reserve should not be less than 20% of the total power consumption of the lamps in order to ensure reliable and uninterrupted operation of the entire system and prevent excessive overheating of the power supply unit.

TECHNICAL DATA

Model	TRX004-211 TRX004-221	TRX004-212 TRX004-222
Rated voltage	DC 48V	
Electrical shock protection class	III	
Mounting method	Surface-mounted/suspended/built-in	
Ingress Protection Code	IP20	
Climatic version	Boreal climate(4)	
Operating temperature	0°C - +50°C	
Material	Aluminium	
Colour	Black	
Segment length	1m	2m

SAFE OPERATION REGULATIONS



All installation and mounting services must be rendered by persons having the appropriate permits and qualifications. Please contact a qualified electrician, where necessary.

All installation and dismantling work should be performed in a powered down state only.

Operation of the track without a power source is forbidden. Do not connect the track directly to the 230V 50Hz AC mains to prevent the failure of lamps.

When building a track system, do not exceed the total current load of the selected power source considering the power reserve of 20%.

Do not install the track at a height below 2.5 meters, or in places where people may accidentally touch the track.

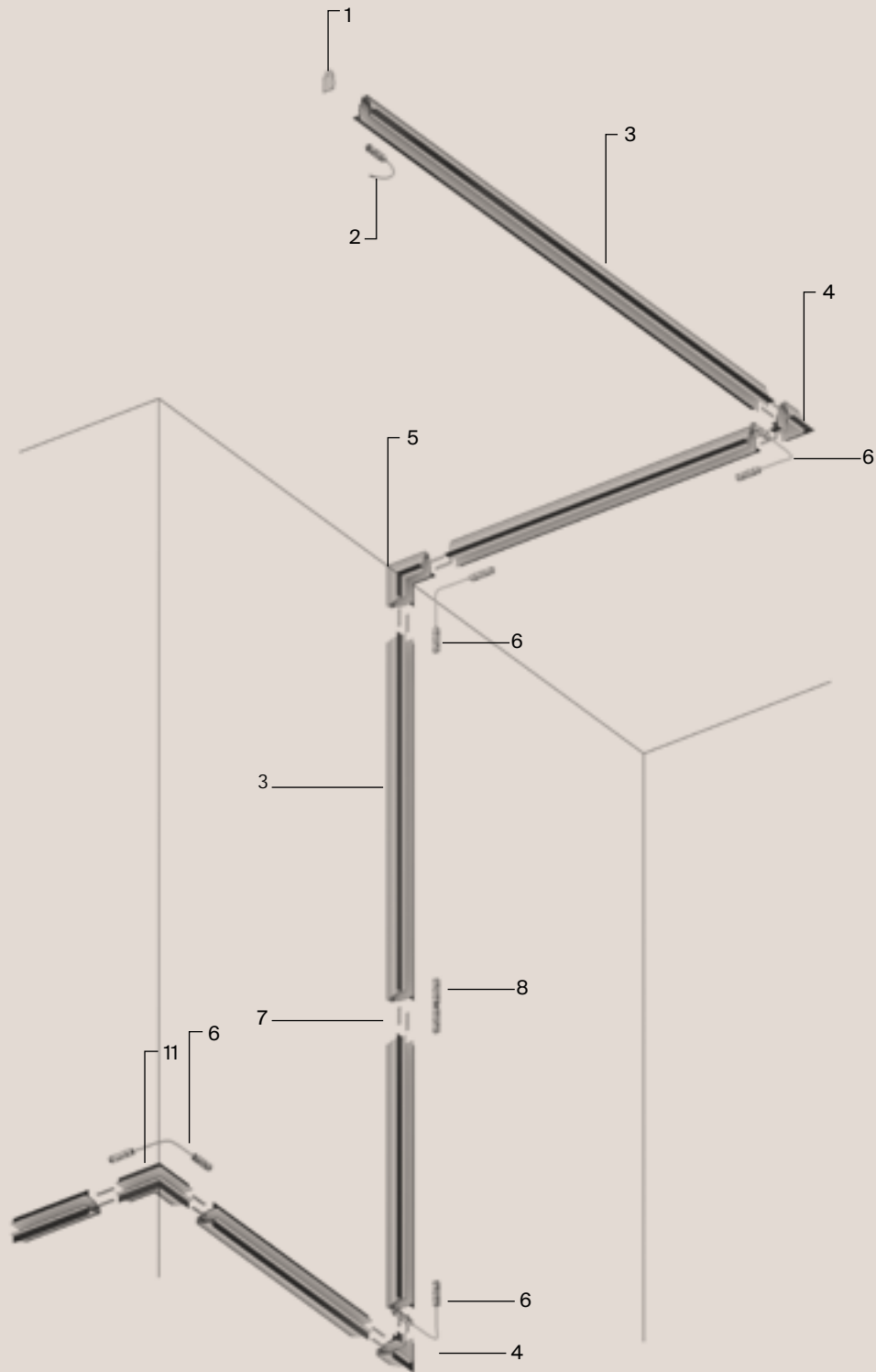
Maximum permissible load on rope TRA004SW-21S is 5 kg per 1 m.
Do not use the product with a damaged housing and damaged insulation of the supply cable.

The product is intended for indoor use only.

Do not use the product in rooms with high humidity and with a high content of dust or aerosol particles in the air.

Use a soft, dry cloth to clean the product with the power switched off. Do not use chemically aggressive cleaning agents.

ELEMENTS OF MAGNETIC TRACK SYSTEMS OF BUILT-IN MOUNTING



1 plug TRA004EC-22B	2 power input TRA004B-22B	3 track L - 1000mm TRX004-221B L - 2000mm TRX004-222B	4 angle-connector TRA004CL-22B	5 external angle-connector TRA004ICL-22B	6 angle power connector TRA004CPC-22B
7 straight connector TRA004C-222S	8 straight power connector TRA004PC-22B	9 outer angle- connector TRA004OCL-22B			

SCOPE OF SUPPLY

MAGNETIC BUILT-IN TRACK



track
84 × 87 × 1000
TRX004-221B



track
84 × 87 × 2000
TRX004-222B

ACCESSORIES FOR MAGNETIC BUILT-IN TRACK



internal
angle-connector
85 × 120 × 120
TRA004ICL-22B



outer
angle-connector
85 × 100 × 100
TRA004OCL-22B



angle-connector
85 × 100 × 100
TRA004CL-22B



plug
2 × 45 × 75
TRA004EC-22B



straight
connector
2 × 10 × 70
TRA004C-222S

SCOPE OF SUPPLY

UNIVERSAL ACCESSORIES FOR MAGNETIC TRACK SYSTEM



power input
18 x 18 x 520

TRA004B-22B



straight power
connector
18 x 18 x 195

TRA004PC-22B



angle power
connector
18 x 18 x 365

TRA004CPC-22B



driver
129 x 30 x 97

IP-20
DC 48 V
100W

TRA004DR-100S



driver
159 x 30 x 97

IP-20
DC 48 V
150W

TRA004DR-150S



driver
215 x 30 x 115

IP-20
DC 48 V
200W

TRA004DR-200S



driver
215 x 30 x 115

IP-20
DC 48 V
320W

TRA004DR-320S



decorative
moulding
TRA004-21B

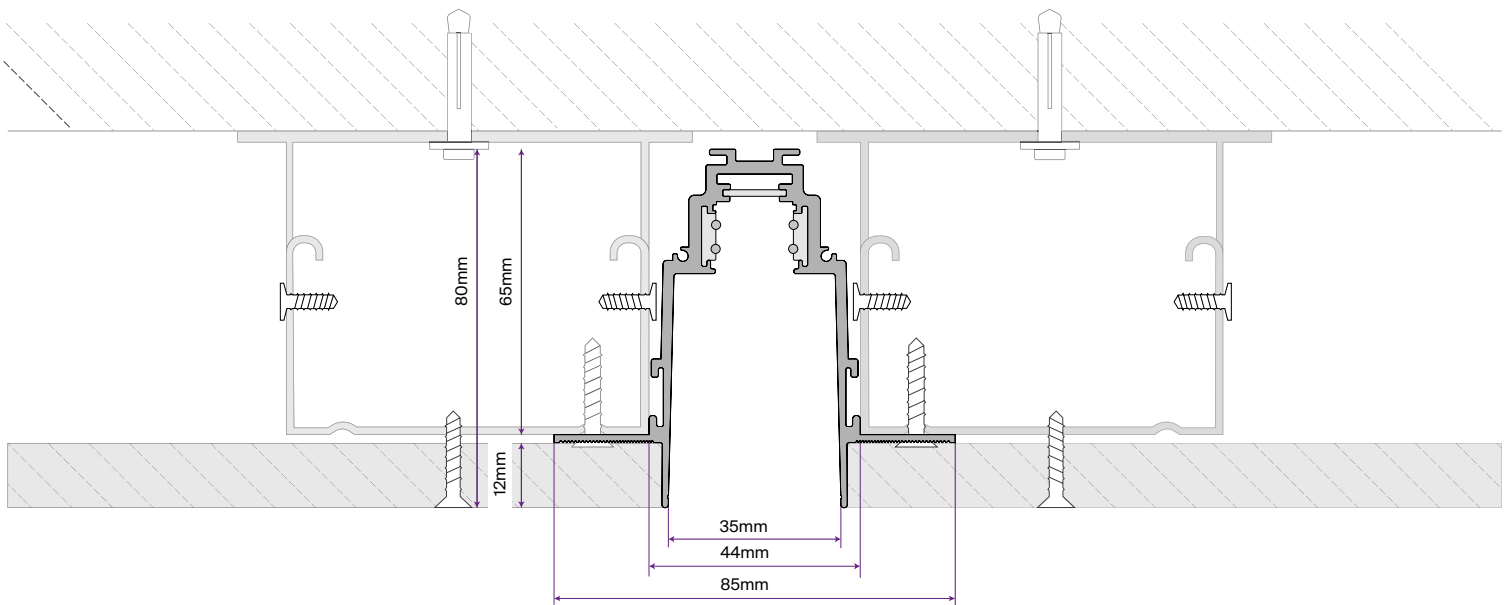
INSTALLATION DIAGRAM

INSTALLATION DIAGRAM FOR BUILT-IN MAGNETIC TRACK

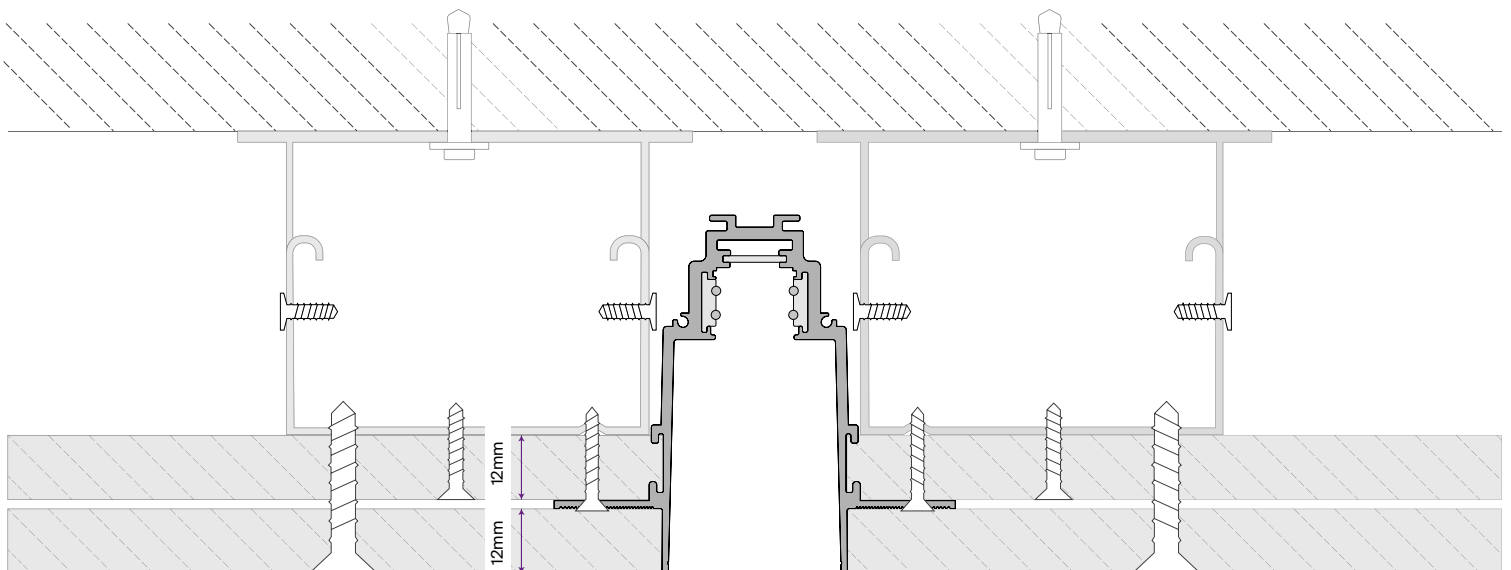
OPTION 1. SURFACE MOUNTING WITH THE USE OF CLAMPS

The magnetic built-in track can be installed on 1 or 2 drywall layers. The most preferred option is two-layer drywall as the structure becomes more reliable and rigid.

BUILD-IN TRACK WITH SINGLE-LAYER GYPSUM CLADDING



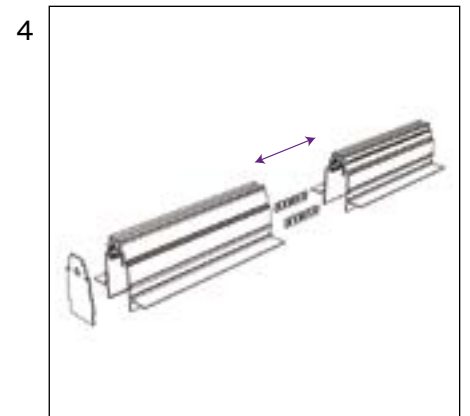
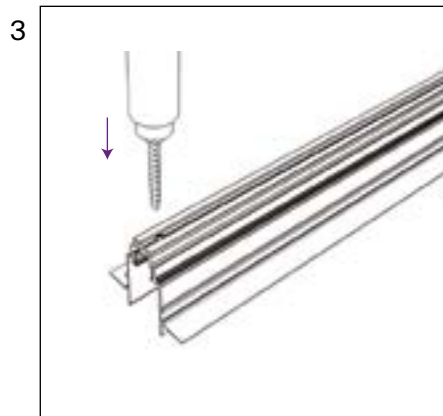
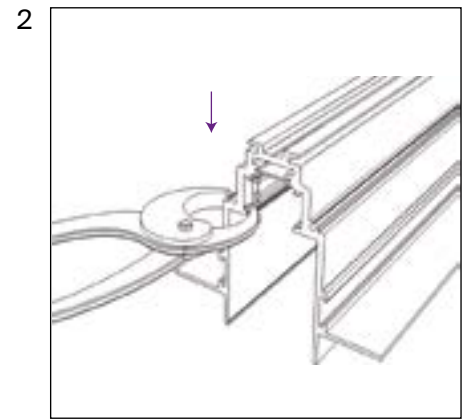
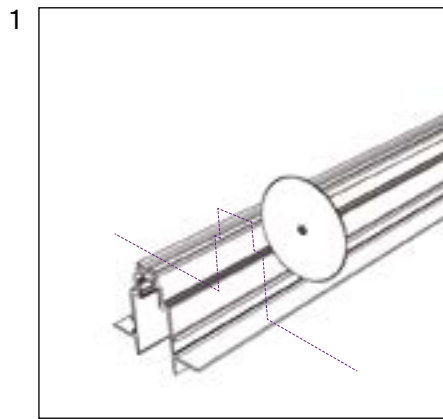
BUILD-IN TRACK WITH DOUBLE-LAYER GYPSUM CLADDING



INSTALLATION MANUAL

BUILT-IN MAGNETIC TRACK

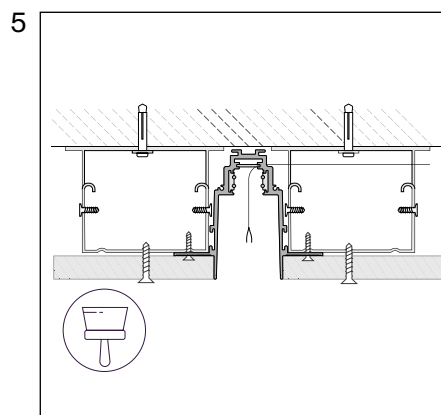
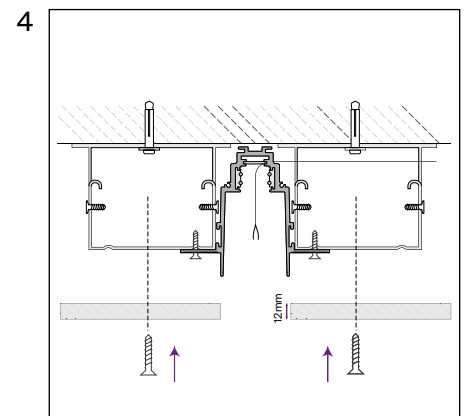
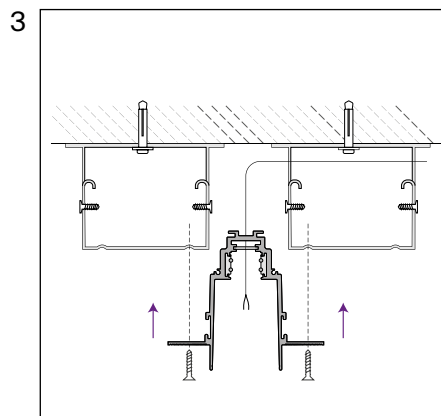
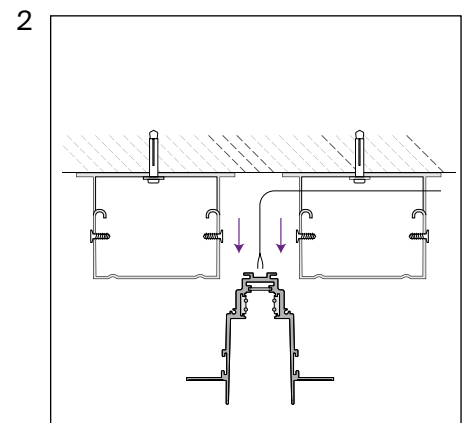
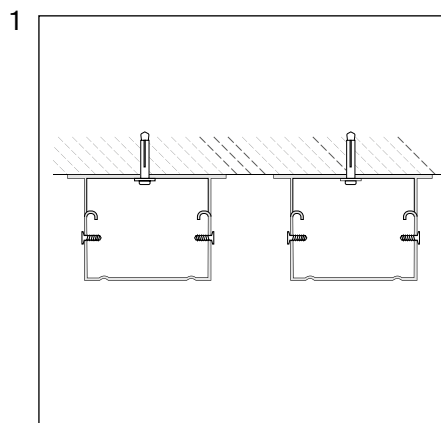
1. Cut the track according to the drawing dimensions. Cutting is permitted in any place at an angle of 90 degrees.
2. Cut the current-carrying cores by 5 mm and crimp their guides in the track.
3. Drill the power cable entry holes and chamfer.
4. Connect the track segments using connectors and install the plugs.



INSTALLATION USING SINGLE-LAYER GYPSUM BOARDS 12 MM

BUILT-IN MAGNETIC TRACK

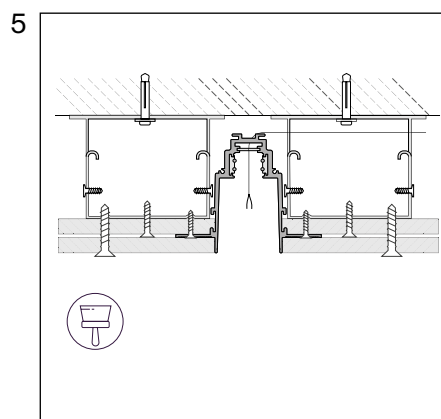
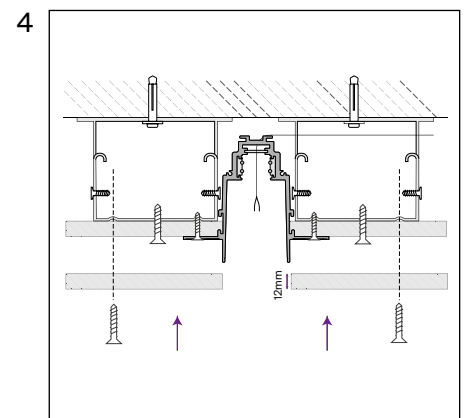
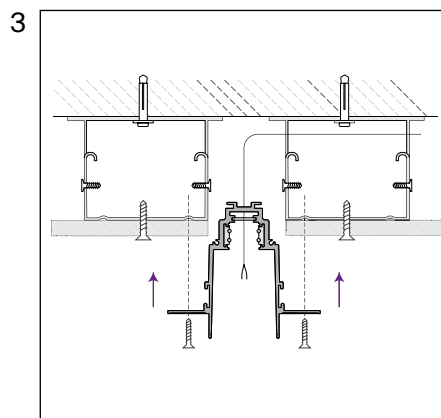
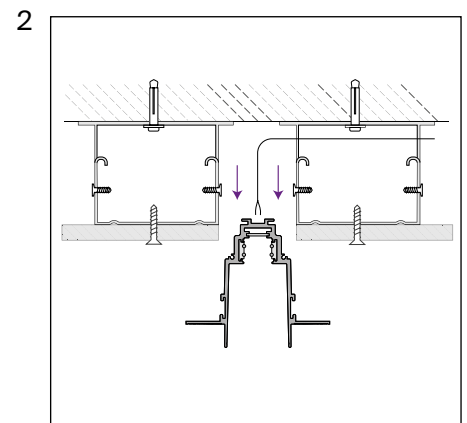
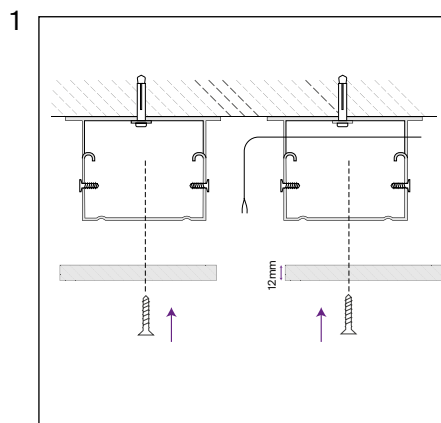
1. Install the ceiling profile in line with the required dimensions.
2. Insert the supply cable into the track.
3. Install the track in the mounting groove and secure it with screws.
4. Install 12 mm gypsum boards close to the track walls and fix it with screws.
5. Apply putty on gypsum boards flush with the track walls.



INSTALLATION USING DOUBLE-LAYER GYPSUM BOARDS 12 MM

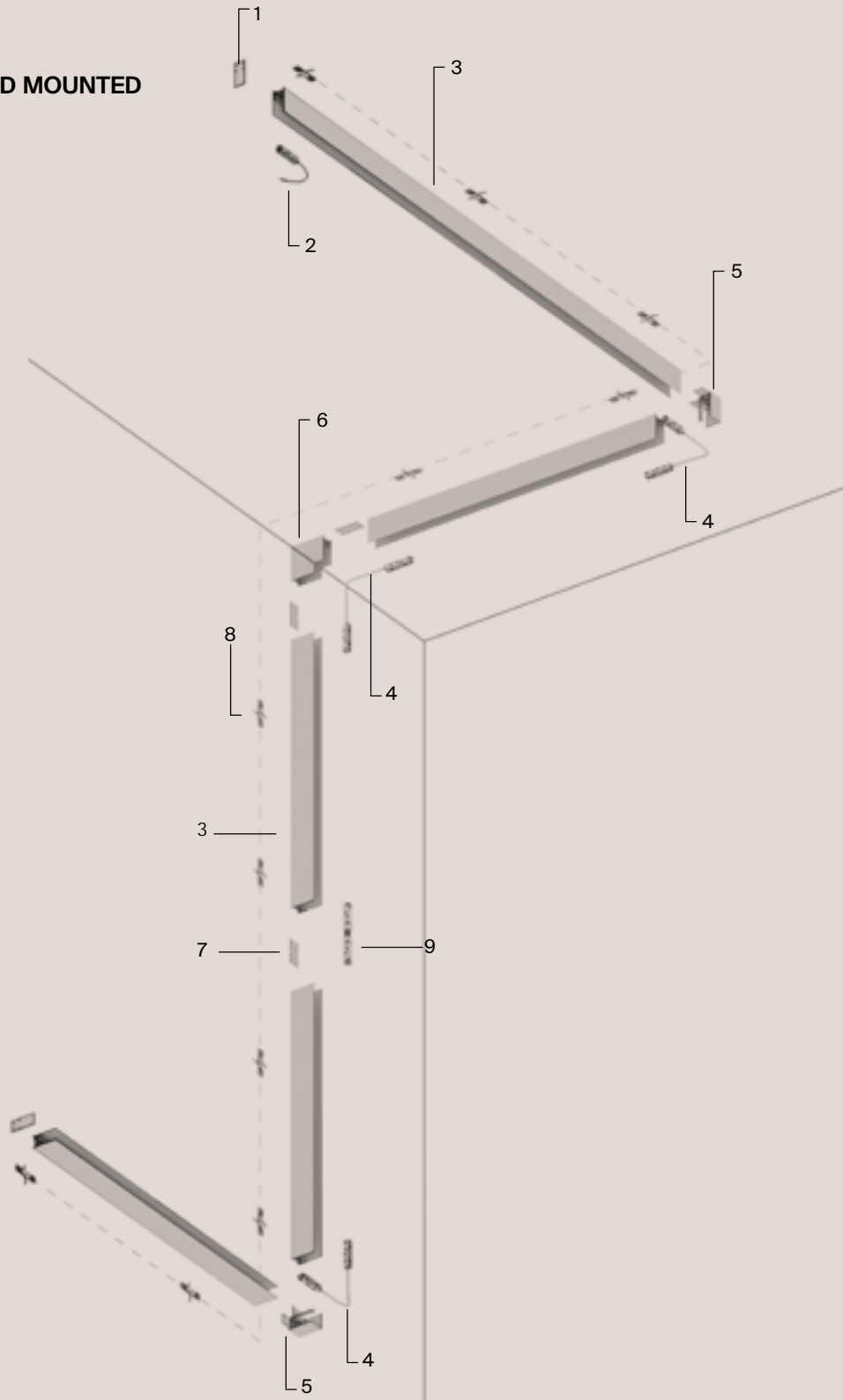
BUILT-IN MAGNETIC TRACK

1. Install 12 mm gypsum board in the ceiling profile by securing it with screws.
2. Insert the supply cable into the track.
3. Install the track in the mounting groove and secure it with screws.
4. Install 12 mm gypsum board and secure it with screws.
5. Apply putty on gypsum boards flush with the track walls.



SURFACE-MOUNTED TRACK

DIAGRAM FOR
SURFACE/SUSPENDED MOUNTED
MAGNETIC TRACK



1 plug TRA004EC-21B	2 power input TRA004B-22B	3 track L - 1000mm TRX004-211B L - 2000mm TRX004-212B	4 angle power connector TRA004CPC-22B	5 angle-connector TRA004CL-21B	6 internal angle-connector TRA004ICL-21B
7 straight connector TRA004C-21S	8 surface mount retainer TRA004HS-21S	9 straight power connector TRA004PC-22B			

SCOPE OF SUPPLY

SURFACE/SUSPENDED MOUNTED MAGNETIC TRACK



track
38 x 1000 x 80
TRX004-211B



track
38 x 2000 x 80
TRX004-212B

ACCESSORIES OF THE MAGNETIC TRACK SYSTEM FOR SURFACE/SUSPENDED MOUNTING



straight
connector
2 x 34 x 80
TRA004C-21S



angle-connector
89 x 89 x 80
TRA004CL-21B



internal
angle-connector
100 x 100 x 38
TRA004ICL-21B



plug
2 x 38 x 80
TRA004EC-21B



surface mount
retainer
15 x 40 x 90
TRA004HS-21S



retainer
for wire suspension
5 x 30 x 35
TRA004HP-21B



cable suspension
Ø2 x h=2000

SCOPE OF SUPPLY

UNIVERSAL ACCESSORIES FOR MAGNETIC TRACK SYSTEM



power input
18 x 18 x 520
TRA004B-22B



straight power
connector
18 x 18 x 195
TRA004PC-22B



angle power
connector
18 x 18 x 365
TRA004CPC-22B



driver
129 x 30 x 97
IP-20
DC 48 V
100W
TRA004DR-100S



driver
159 x 30 x 97
IP-20
DC 48 V
150W
TRA004DR-150S



drivert
215 x 30 x 115
IP-20
DC 48 V
200W
TRA004DR-200S



driver
215 x 30 x 115
IP-20
DC 48 V
320W
TRA004DR-320S

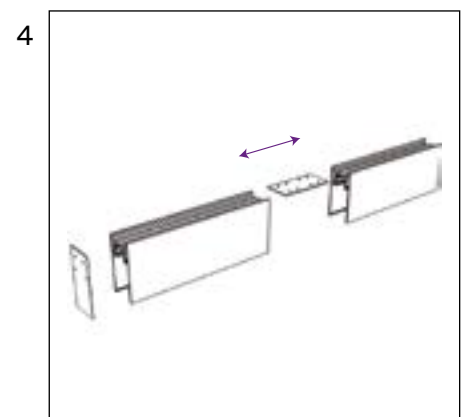
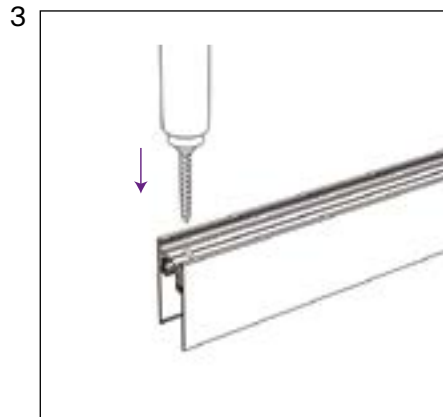
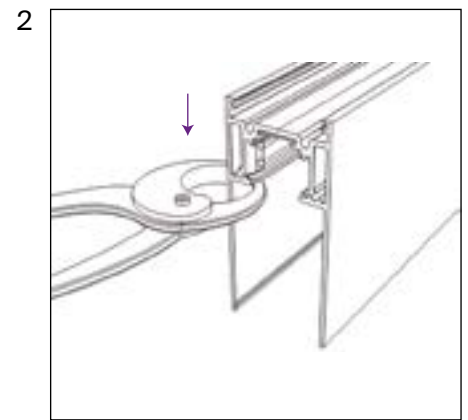
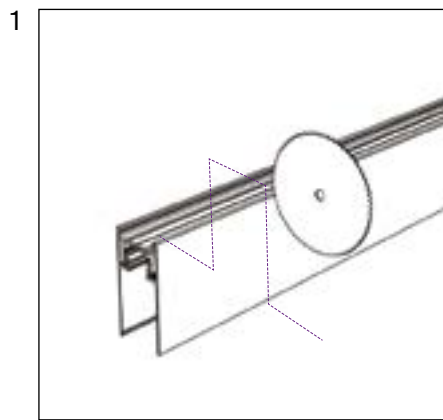


decorative
moulding
TRA004-21B

INSTALLATION MANUAL

SURFACE-MOUNTED MAGNETIC TRACK

1. Cut the track according to the design dimensions. Cutting is permitted in any place at an angle of 90 degrees.
2. Cut the current-carrying cores by 5 mm and crimp their guides in the track.
3. Drill the power cable entry holes and chamfer.
4. Connect the track segments using connectors and install the plugs.

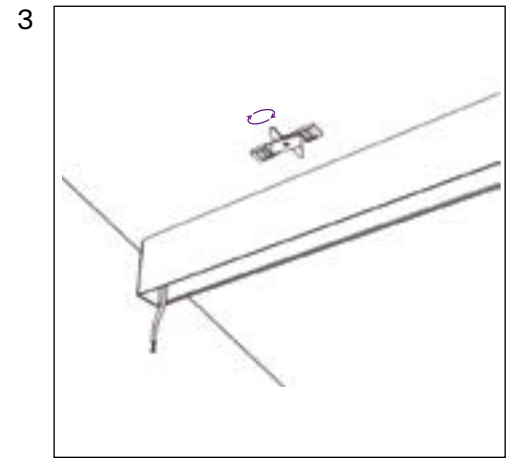
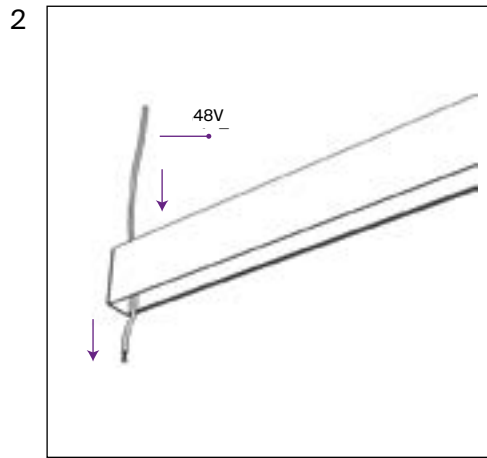
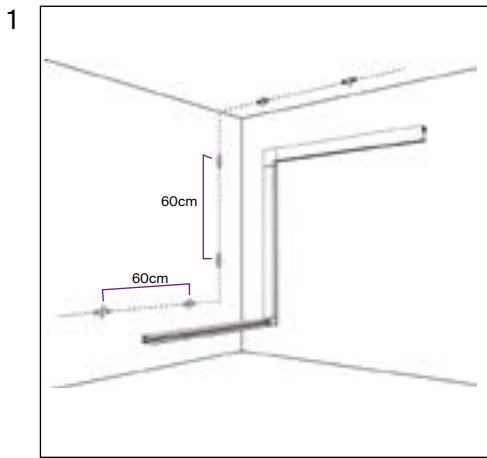


INSTALLATION MANUAL

SURFACE MOUNTING OF MAGNETIC TRACK

OPTION 1. SURFACE MOUNTING WITH THE USE OF CLAMPS

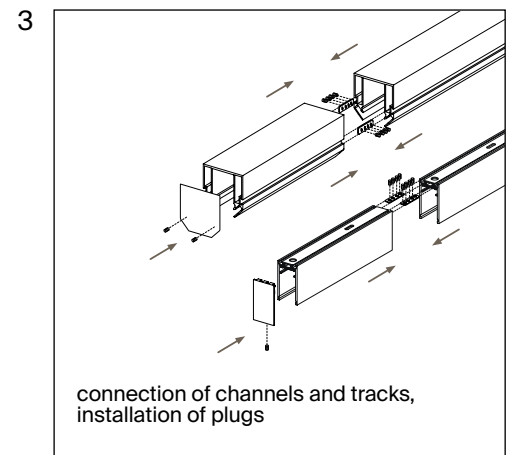
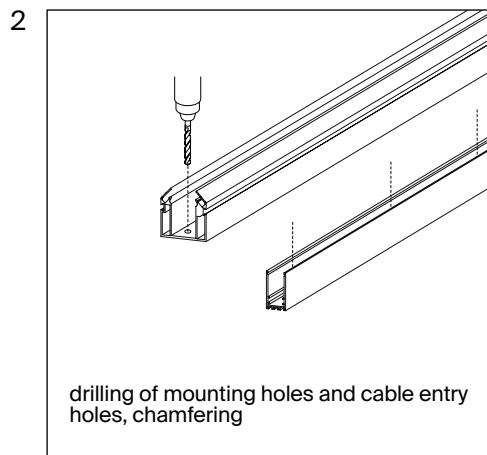
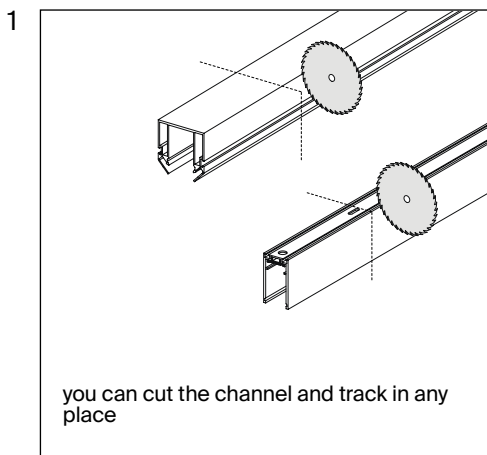
1. Fix the clamps for the surface-mounted track on the wall at 60 cm intervals.
2. Insert the supply cable into the track, through the prepared hole.
3. Attach the track directly against the wall and turn the levers on the catch locks.



OPTION 2. INSTALLATION OF TRACK IN COMBINATION WITH THE STRETCH CEILING CLOTH

In order to implement this option, you need to purchase the not in the assortment, sold separately profile in addition to the surface-mounted track and perform installation as follows:

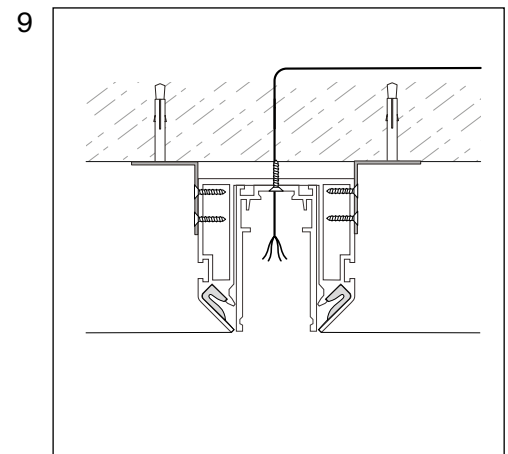
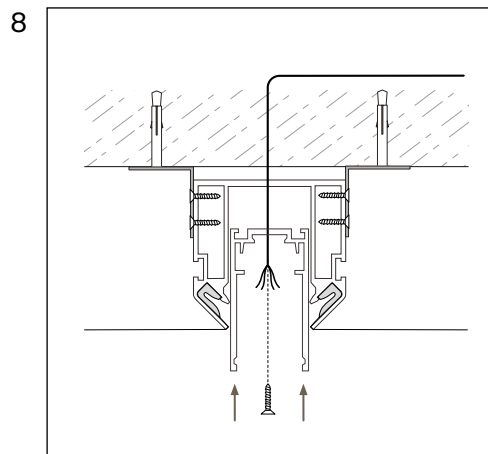
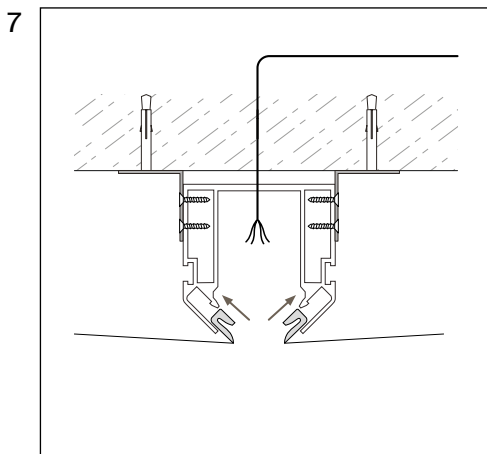
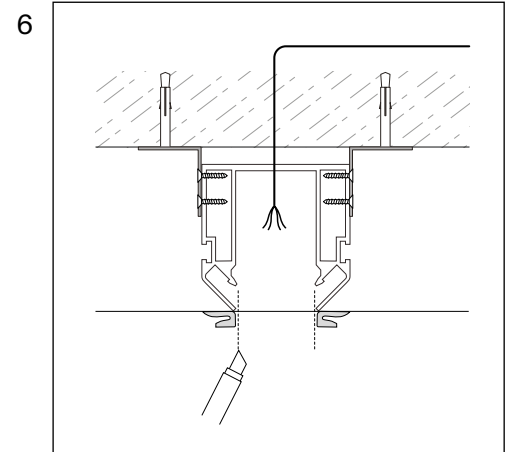
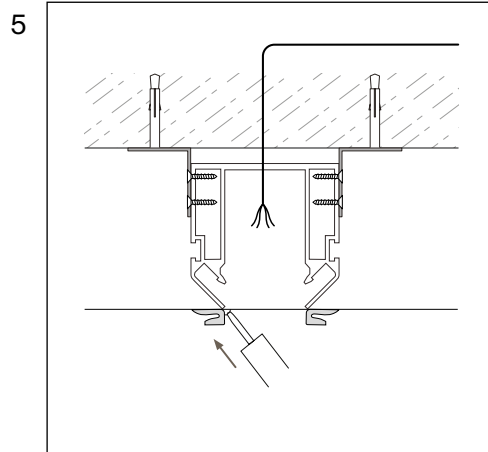
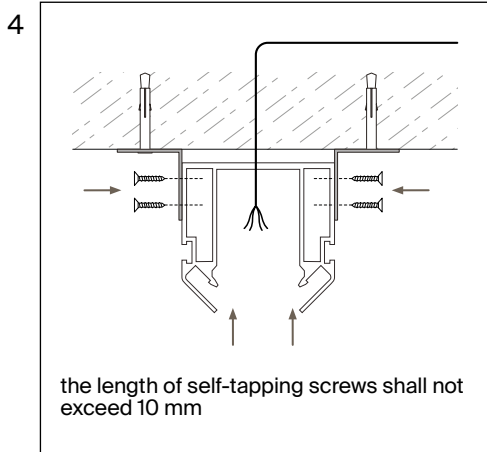
1. Cut the profile and track in the required length.
2. Drill the mounting holes and cable entry holes.
3. Assemble all parts of the profile and track if required, and insert the plugs.



INSTALLATION MANUAL

OPTION 2. INSTALLATION OF TRACK IN COMBINATION WITH THE STRETCH CEILING CLOTH

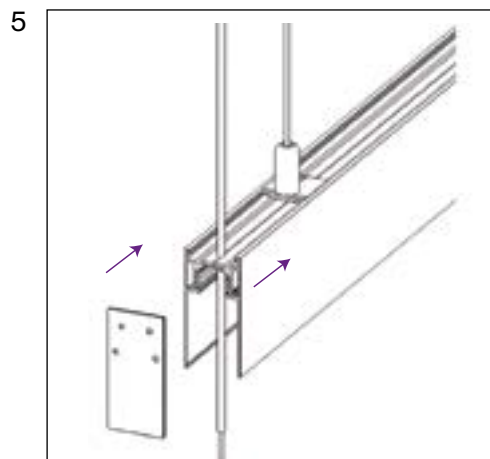
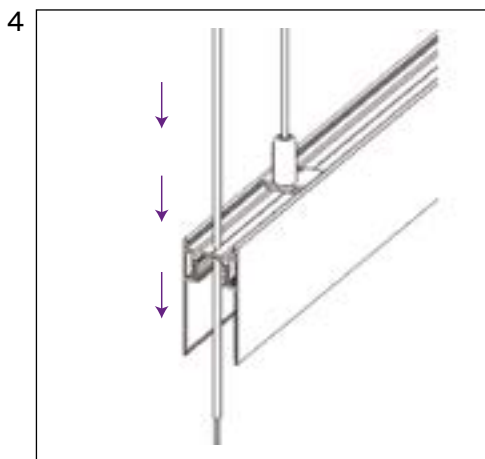
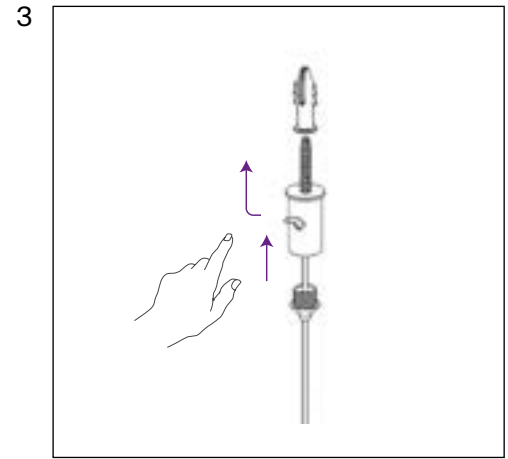
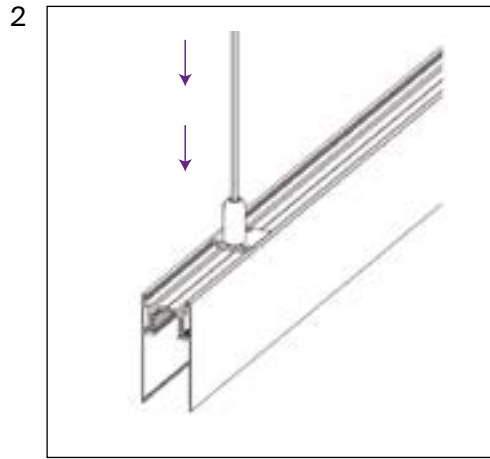
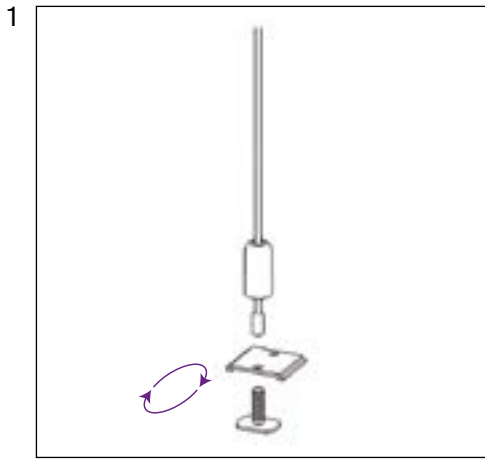
4. Fix the profile to the surface using the mounting angles.
5. Stretch the ceiling cloth and glue the edges of the harpoons along the entire profile length.
6. Leave a slot between the harpoons.
7. Put the harpoons into the profile grooves and glue the end faces.
8. Install the track and fix it inside the profile.
9. The track is now ready for operation.



INSTALLATION MANUAL

INSTALLATION OF MAGNETIC TRACK IN A SUSPENDED WAY

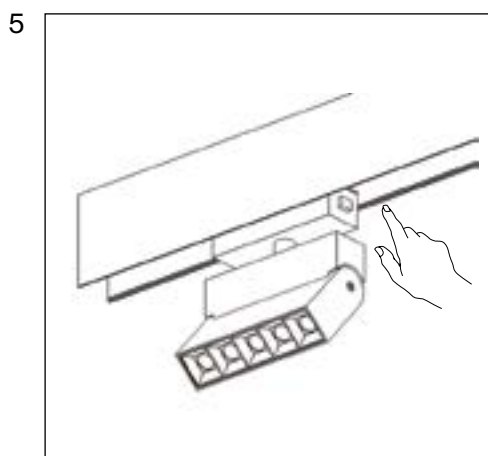
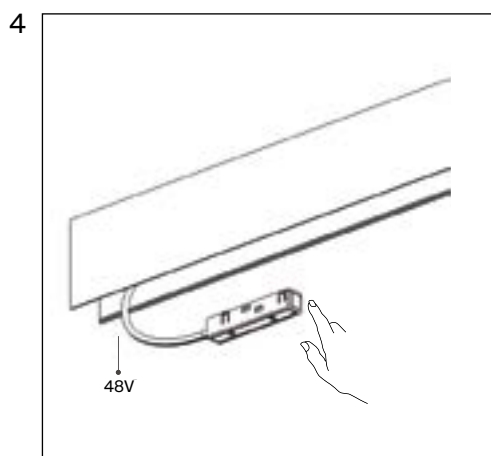
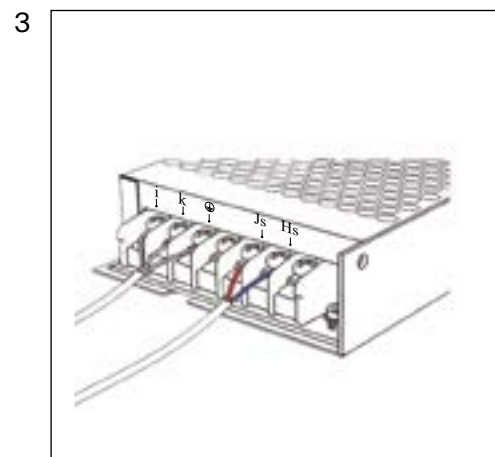
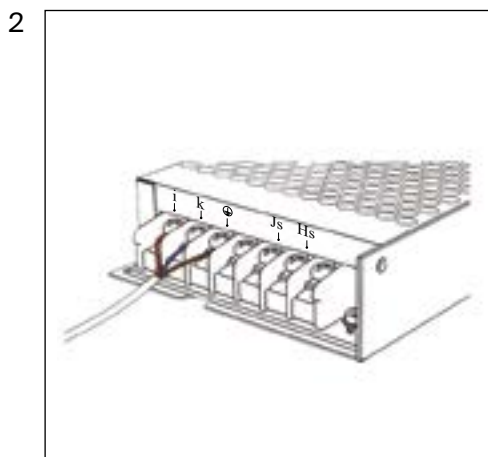
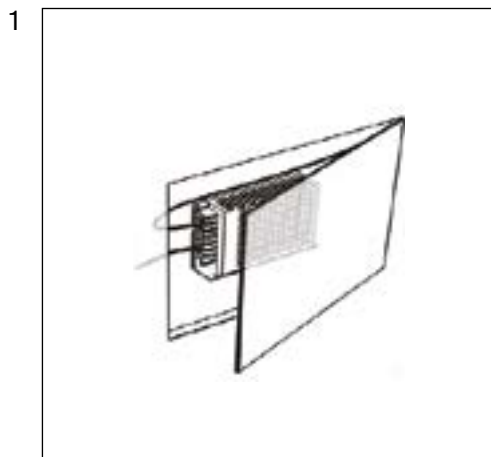
1. Screw the suspension mounts into the base.
2. Install the suspension mounts in the groove on the backside of the track.
3. Fasten the rope holder. Insert the ropes into the holders. Adjust the length of suspension mounts.
4. Insert the supply cable into the track.
5. Install plugs



CONNECTING THE POWER SUPPLY TO THE TRACK

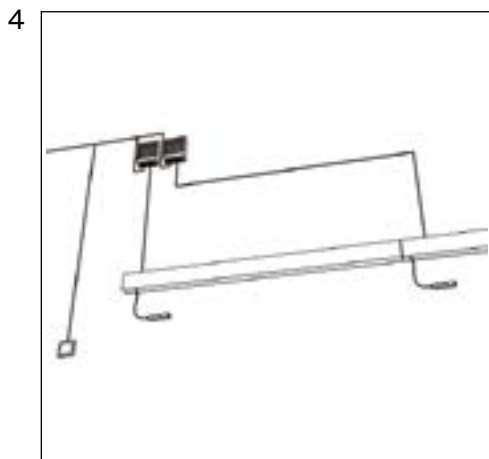
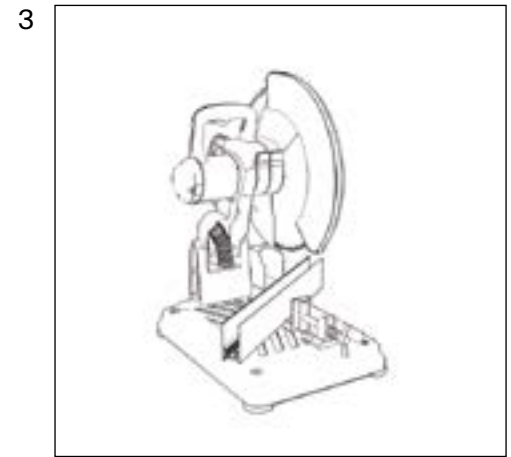
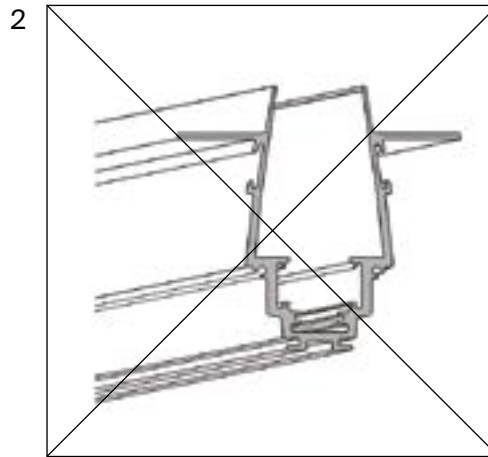
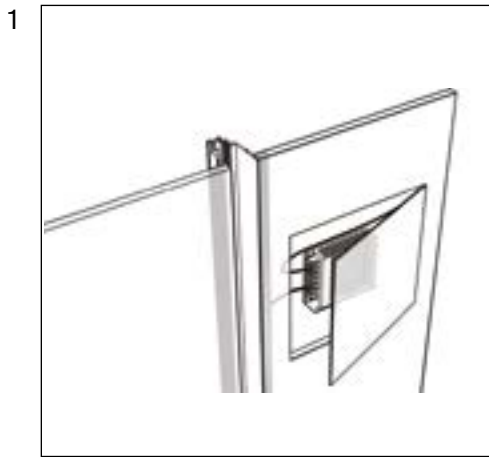
USING THE CONVENTIONAL POWER SUPPLY SOURCE

1. Prepare a niche, insert the power source into the niche and connect a 230V 50Hz power cable to it.
2. Connect the driver to the 230V 50Hz mains according to the markings on it. Excess power of the driver must be at least 20%.
3. Connect the power input of the truck to the appropriate terminals of the driver (white, brown wires to terminal V+, black and blue wires to terminal V-).
4. Install a connected power lead-in into the track. Press the button and push the adapter until it clicks. Connect only with the power supply switched off.
5. Install the lamps. Install the lamp in the track until it clicks, press the buttons on the base to install in relevant models.



TIPS AND PRECATIONINARY MEASURES

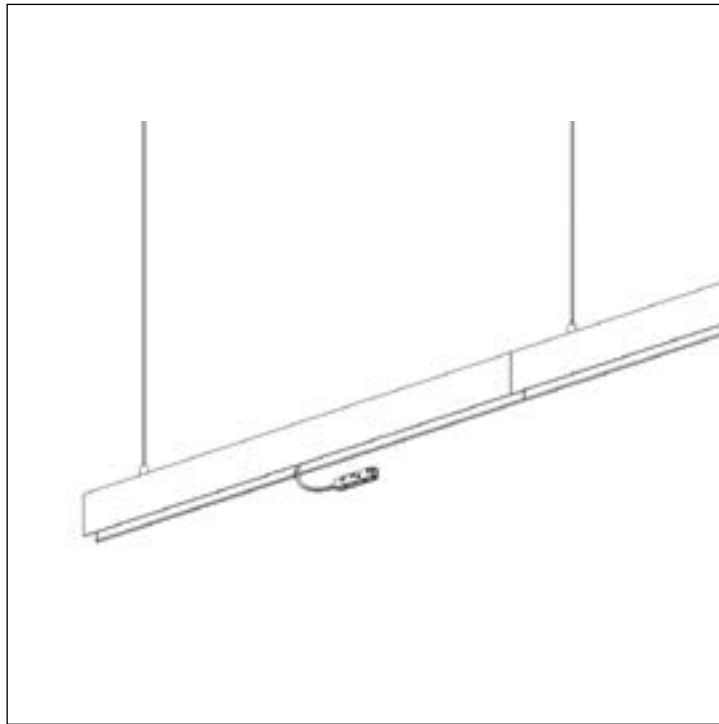
1. When planning the placement of system elements, make sure to include a service hatch in the project for driver maintenance.
2. Take appropriate measures to prevent the track from deformation during transportation and installation.
3. When cutting the track, use professional equipment, or contact the professional providers of such services.
4. Please use the power input 1 to connect lamps with a max. total power of 400W and the track with a max. length of 20 meters. If the specified power or length is exceeded, connect the subsequent sections through a new power input.



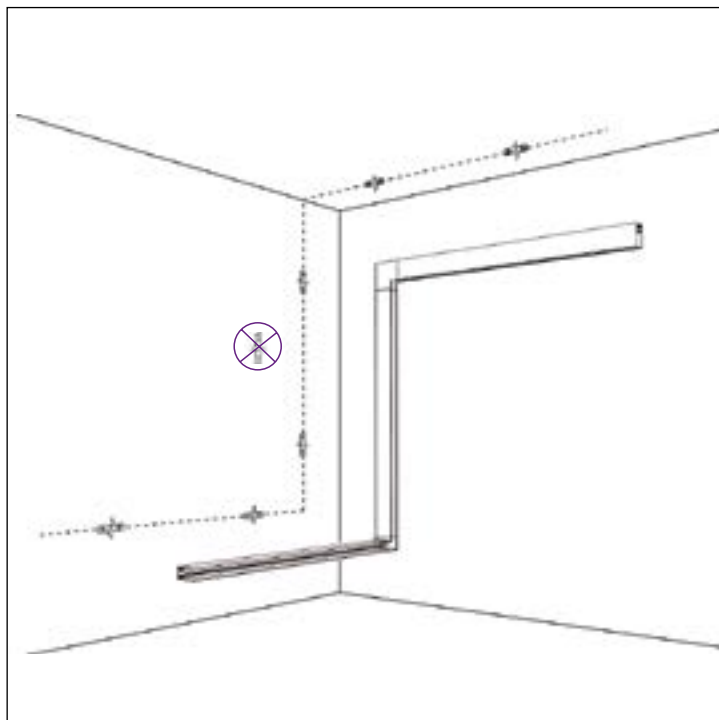
POWER INPUT

1. The power input can be installed in any track section, according to the rule, the input 1 supplies power to no more than 20 meters of the track.
2. Be extremely careful when marking mounting locations and installing wall clamps. If the clamps move out of the track location track, you may face difficulties in installing it.

1



2



Fault description	Cause	Remedy
The lighting fixture does not operate	Loose connection of current-carrying parts	Install the lighting fixture on the track until full contact between the adapter and current-carrying wires is reached
		Check the contacts of the lead-in cable, connection of the lead-in contacts to the track, and other connections.
	Contact the seller to replace it under a warranty	Contact the seller for a warranty replacement
	Malfunction of lighting fixture	
The lighting fixture flashes or glows dimly in switched-off state	A switch with illuminated keys is installed, or a motion (light) sensor is used to control the lighting circuit	Replace the switch with a model without backlit keys, or with auxiliary incorporated resistor. Use the motion (light) sensor with a relay output only
Unstable glowing, flickering, unusual sound	Brightness control (dimmer switch) is installed in the power supply circuit	Remove the brightness control from the circuit, replace it with a switch
	Defective power supply source / lamp driver	Contact the seller for a warranty maintenance or replacement

STORAGE

Store the product indoors, in the original packaging in a place protected from aggressive environment. Store at a temperature in the range from -20 °C to +70° C and relative humidity not exceeding 95%. Direct exposure to moisture is not allowed.

TRANSPORTATION

The product is shipped in a package which is suitable for transportation by sea, rail, road and air.

DISPOSAL

Do not dispose the product with the regular household waste!
Products must be disposed according to the directive on electrical and electronic devices at local collection points for such devices!

WARRANTY

The warranty is granted for a period of 24 months from the date of sale which is determined on the basis of documents serving as proof of purchase.

This warranty covers defects in workmanship provided that all rules of operation, transportation and storage given in this manual are complied with.

The warranty is not valid in following cases: if the product has been used for the purposes other than it is intended for; the malfunction occurred after the handover of goods to the consumer and was caused by improper or negligent handling, failure to observe the requirements set forth in these instructions. And in force majeure circumstances as well, in particular in the following events: fire, flood, high-voltage discharges, and other natural disasters, accidents and wilful acts of third parties that caused the product to malfunction.

MANUFACTURER

Maytoni GmbH, Feldstiege 98, Münster, Germany, 48161

IMPORTER

Maytoni GmbH, Feldstiege 98, Münster, Germany, 48161

Developed in Germany.

Made in China.

Shelf life is not limited.

