

# CL-817

**Type:** Exit sign luminaire

**Mounting:** Sidewall recessed

**Light source:** 50.000h operational time, 6000K color temperature

**Warranty:** 2 years

**Housing color and material:** White plastic

**Dimensions:** 343mm x 128mm x 74mm

**Cable connection:** Max. 2.5mm<sup>2</sup> cross section or sleeved twisted wire

**Operating mode:** Non-maintained / maintained

**Constant nominal ambient temperature range:** 0°C < T<sub>a</sub> < 45°C



PRODUCTNAME/SYSTEM TYPE	BATTERY TYPE	MAIN SUPPLY	MONITORED	INPUT CURRENT	AUTONOMY	PRODUCT CODE
CL-817 Slave/Con/MB	self-contained	AC 120-240V	no	32mA	1-3 h	300257
CL-817 Slave/Con/CB/ACAC	central battery	AC 120-240V	no	15mA	-	
CL-817 Slave/Con/CB/ACDC	central battery	AC/DC 120-240V	no	15mA	-	
CL-817 Slave/Con/CB/24V	central battery	DC 24-32V	no	80mA	-	300335
CL-817 Slave/MB	self-contained	AC 120-240V	yes	32mA	1-3 h	300258
CL-817 Slave/RF/MB	self-contained	AC 120-240V	yes	32mA	1-3 h	
CL-817 Slave/CB/24V	central battery	DC 24-32V	yes	80mA	-	300293
CL-817 Slave/CB	central battery	AC 120-240V	yes	15mA	-	300073
CL-817 Slave/CB/AC/DC	central battery	AC/DC 120-240V	yes	15mA	-	

## SYSTEM TYPE LEGEND

Slave/Con/MB - self-contained, conventional, unmonitored

Slave/Con/CB ACAC - central battery, conventional, unmonitored

Slave/Con/CB ACDC - central battery, conventional, unmonitored

Slave/Con/CB/24V - central battery, 24V, conventional, unmonitored

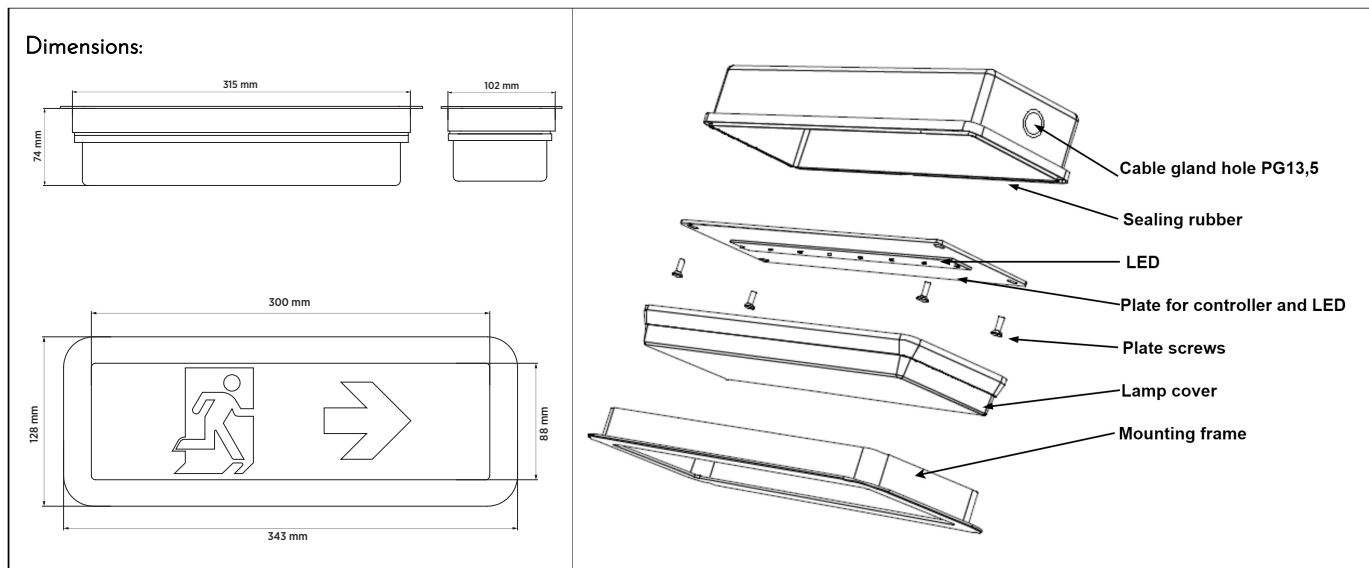
Slave/MB - self-contained, central monitoring

Slave/RF/MB - self-contained, wireless central monitoring

Slave/CB/24V - central battery, 24V, central monitoring

Slave/CB - central battery, 230V, central monitoring

Slave/CB AC/DC - central battery, AC 230V/DC 216V, central monitoring



**Unique identifier\*** - SLxxxx0020 copy this ID into commissioning book next to light's location and drawing text

**Cable wiring** - Connect the mains wire, the LED module to the luminaire on basis of the image. The proper phasing is important because of the communication line. In case of reverse connection cannot occurs fault, but an incorrectly connected device influences the other luminaires' function on the line as well.

**Changing the LED** - Because of the LED's unique design, it can be changed by the manufacturer only.

**Changing the battery\*\*** - An authorized person must replace the battery

\*addressable devices only

\*\*self-contained devices only

## **CAUTION!**

The device works from mains supply. The mounting should be happened only with the supplied retainers.

### **Important!**

In case of maintenance ensure that the device is disconnected from the power.

The producer will not take the responsibility for the damages caused by improper usage.

All servicing should be performed by qualified service personnel.

The installation of this Emergency system shall be performed by an authorized personnel who is qualified to perform the installation in accordance with ANSI/NFPA 101, "Life Safety Code," Article 700 of ANSI/NFPA 70, the NEC "National Electrical Code," the Federal, State & local municipal requirements and or any other requirements as applicable and as warranted.

the product's system-specific data sheet is available by scanning the QR code on the product